

# PL

# PL20C

Head cable unit



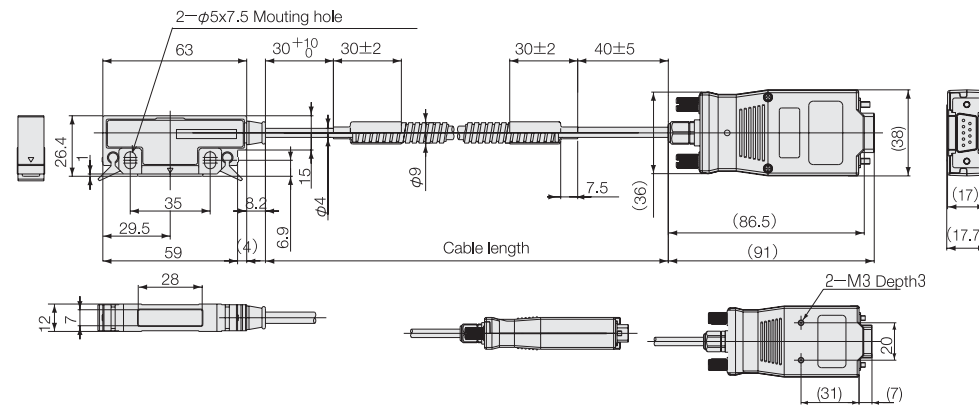
- Output signal: A/B quadrature
- Resolution: 10 μm
- Max. response speed: 300 m/min (varies with the read head and settings).
- Excellent resistance to workshop conditions (IP65).
- Resistant to oil, dirt, vibration, and shock.

Scale	Head/Cable	Counter
SL110/130	PL20C	LH70/71, LH72 LY71, LY72, LG20

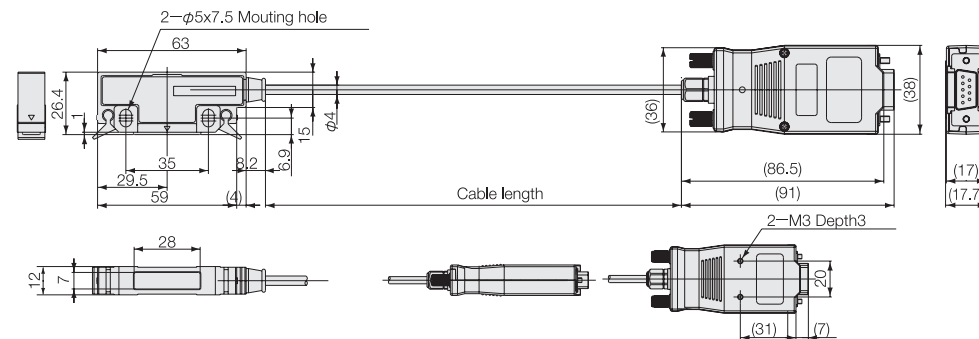
**DIGIRULER®**

### Dimensions

PL20C-\*\*C(Metal armor added)



PL20C-\*\*



Unit : mm

Specifications						
Model	PL20C-3/-3C	PL20C-5/-5C	PL20C-10/-10C	PL20C-15/-15C	PL20C-20/-20C	PL20C-30
Cable length	3 m	5 m	10 m	15 m	20 m	30 m
Output signal	AB quadrature signal					
Resolution	10 μm					
Max. response speed	300m/min					
Head mtg. screw tightening torque	0.7~1.1N*m					
Operating temperature	0 to 45 °C/32 to 113 °F					
Storage temperature	-10 to 50 °C/-14 to 122 °F					

# LG

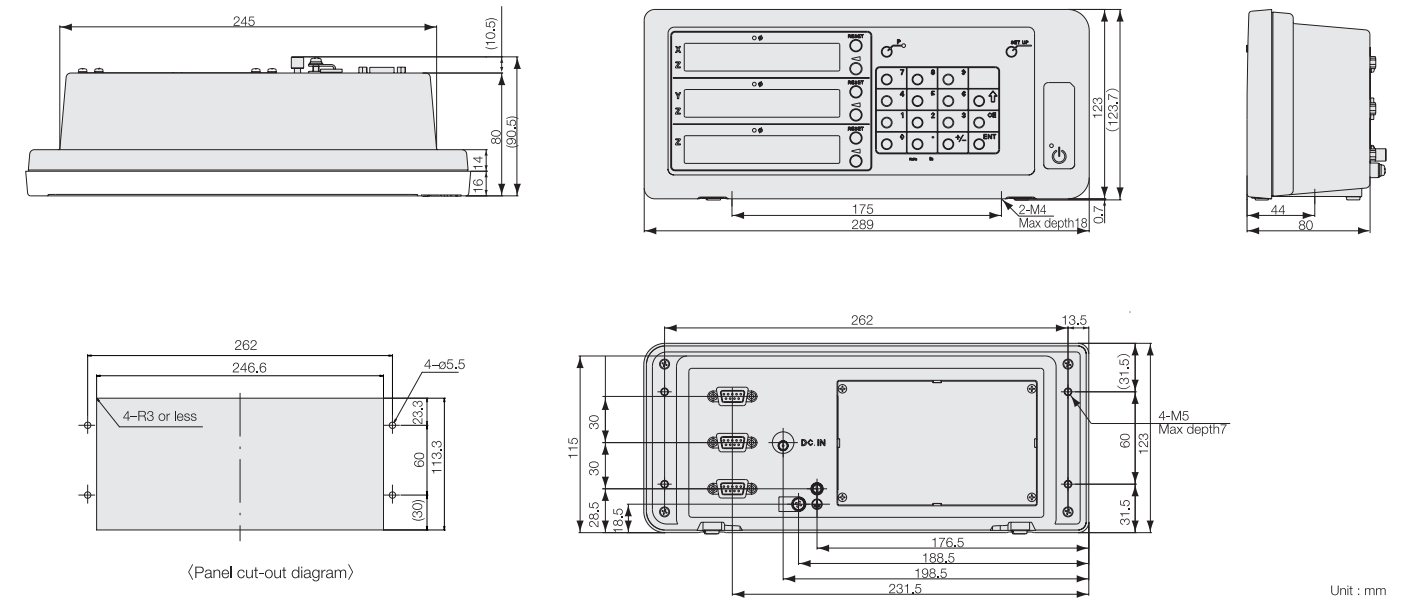
# LG20 SERIES

General USE Display.



- Selectable display resolution
- Scale input signal : A/B quadrature signal
- Machine Error Compensation
- Data Storage
- Preset / Recall
- Flicker Control

### Dimensions



Unit : mm

### Specifications

Model	LG20-1	LG20-2	LG20-3
Display axes	1-axis	2-axis	3-axis
Display	7 digits and minus display, Color amber		
Connectable measuring unit	GB-ER, SJ300, SJ700A, PL20C Series (Direct), unit DG-B (Requires a conversion adaptor which is sold separately.)		
Measuring unit input resolution	0.1 μm, 0.5 μm, 1 μm, 2 μm, 5 μm, 10 μm, 20 μm, 25 μm, 50 μm, 100 μm		
Display resolution	Measuring unit input resolution or higher and diameter display		
Input signal	A/B quadrature signal (Conforms to EIA-422.)		
Minimum input phase difference	100 ns		
Quantization error	±1 count		
Alarm display	Measuring unit disconnected, Excess speed, Maximum display amount exceeded, Power failure, Error in stored data		
Preset	It is possible to store/recall 3 kinds of numbers.		
Data storage	The value displayed before the power was turned off and setting values are stored		
Linear error compensation	A fixed compensation is applied to the measuring unit's count value. Compensation amount: ±600 μm/m)		
Sleep	The display is turned off when no operations are made for a preset time. (The time can be set.)		
Power supply	DC 12 V Rating 0.75 A Max. 1 A AC 100 V to 240 V ±10 % When using the AC adaptor PSC-22 (For U.S. only) or PSC-23 (For Europe and other countries) *Option		
Power consumption	MAX. 32 VA connected at the AC adaptor.		
Operating temperature range	0 to 40°C (no condensation)		
Storage temperature range	-20 to 60°C (no condensation)		
Mass	Approx. 1.5 kg		